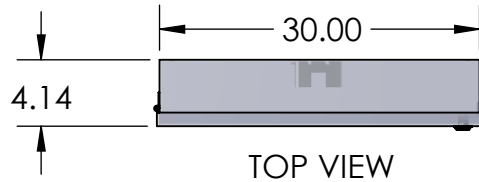


2

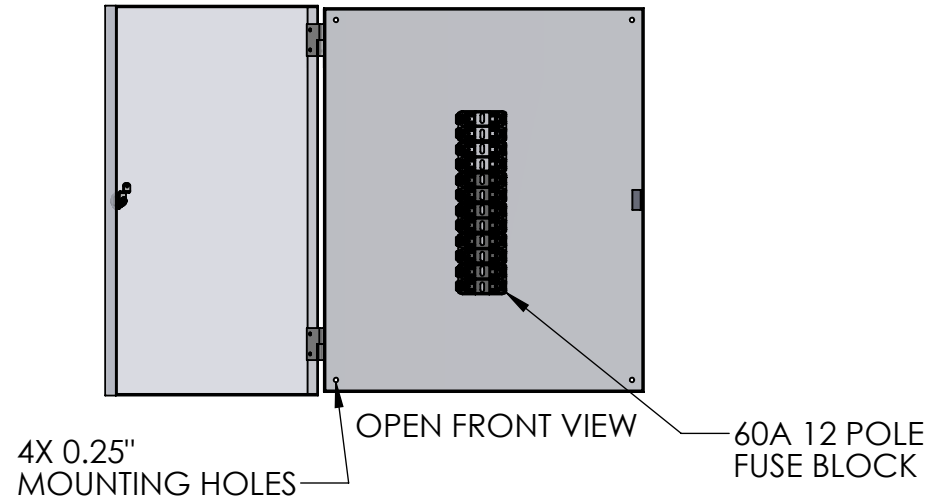
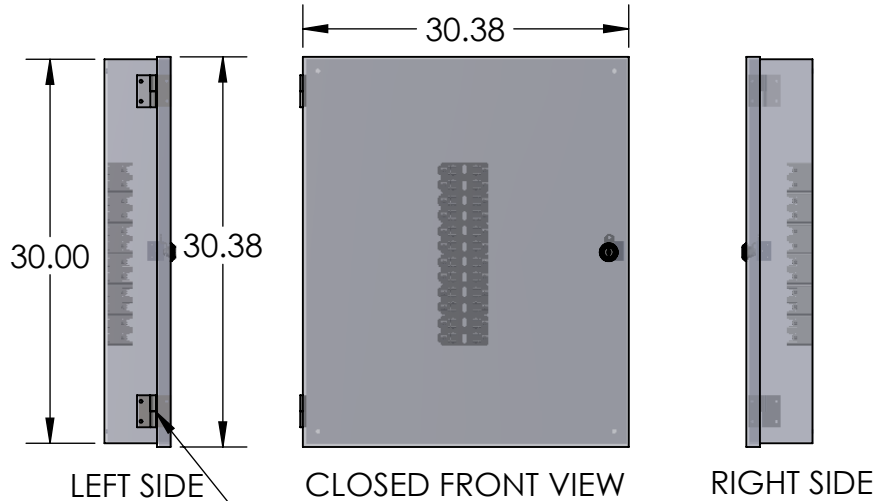
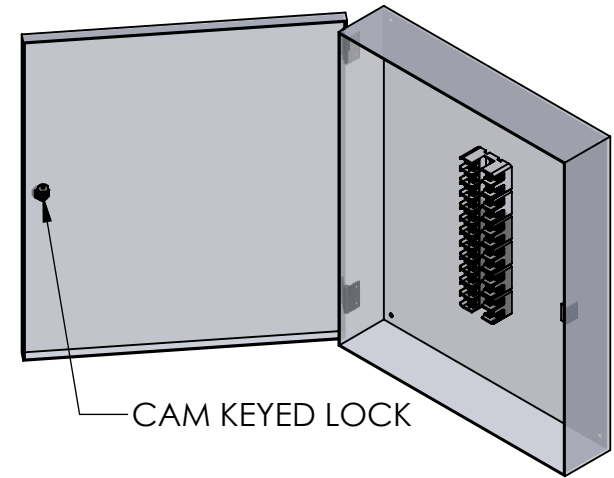
1

NOTES:

1. NEMA 1 INDOOR STITCH WELDED CONSTRUCTION
2. HINGED FRONT COVER WITH WRAP AROUND LIP
3. 12 POLE UL LISTED FUSE HOLDER
4. RED POWDER COAT FINISH
5. CAM 45 KEYED DOOR LOCK
6. FACTORY INSTALLED NEUTRAL BARS AVAILABLE



E167302  LISTED  
**CABINETS AND CUT OUT BOXES**  
 LOT NO. XXXXXX  
**NAV-TECH INC.**  
 HAUPPAUGE, NEW YORK



HINGED DOOR

	NAME	DATE
DRAWN BY	J. Pincus	7/24/2023
APPROVED BY		

**PROPRIETARY AND CONFIDENTIAL**  
 THE INFORMATION CONTAINED IN THIS DRAWING IS THE SOLE PROPERTY OF Nav-Tech Inc. ANY REPRODUCTION IN PART OR AS A WHOLE WITHOUT THE WRITTEN PERMISSION OF Nav-Tech Inc. IS PROHIBITED.




155 MARCUS BLVD  
 HAUPPAUGE, NEW YORK 11788  
 PH: (718) 257-2111 FAX: (718) 257-2626

**UNLESS OTHERWISE SPECIFIED:**  
 ALL DIMENSIONS ARE NOMINAL UNLESS EXPLICITLY SPECIFIED OTHERWISE

MATL: 16 GA GALV  
 FINISH: POWDER COATED RED  
 WEIGHT:

UNLESS OTHERWISE SPECIFIED

1. REMOVE ALL BURRS AND BREAK ALL SHARP EDGES .015 X 45° OR .015R
2. DIMENSIONAL LIMITS APPLY AFTER PLATING
3.  MACHINED SURFACES EXCEPT AS NOTED

DRAWING TITLE:  
 30" X 30" X 4" FIRE ALARM CUT OUT BOX

PART #:  
 FAB-12P-60A

DESCRIPTION:  
 NEMA 1 30" X 30" X 4" FIRE ALARM CUT OUT BOX WITH 60 AMP 12 POLE FUSE BLOCK AND LOCKING HINGE COVER

<b>DO NOT SCALE DRAWING</b>	SCALE: 1:12	SIZE A	SHEET 1 OF 1	REV. 0
-----------------------------	-------------	--------	--------------	--------

2

1

B

B

A

A